



(11) **EP 1 550 516 B1**

(12) **EUROPEAN PATENT SPECIFICATION**

(45) Date of publication and mention  
of the grant of the patent:  
**08.02.2012 Bulletin 2012/06**

(51) Int Cl.:  
**B08B 3/02 (2006.01) B08B 9/093 (2006.01)**  
**F26B 5/04 (2006.01)**

(21) Application number: **04106812.3**

(22) Date of filing: **21.12.2004**

(54) **A system for washing driers with shelves**

Vorrichtung zur Reinigung eines mit Regalen ausgestatteten Trockenschanks

Système pour le nettoyage d'appareils de séchage munis d'étagères

(84) Designated Contracting States:  
**AT BE BG CH CY CZ DE DK EE ES FI FR GB GR  
HU IE IS IT LI LT LU MC NL PL PT RO SE SI SK TR**  
Designated Extension States:  
**LV**

(72) Inventor: **Debolini, Paolo**  
**10128 Torino (IT)**

(30) Priority: **30.12.2003 IT TO20031051**

(74) Representative: **Gerbino, Angelo et al**  
**Jacobacci & Partners S.p.A.**  
**Corso Emilia 8**  
**10152 Torino (IT)**

(43) Date of publication of application:  
**06.07.2005 Bulletin 2005/27**

(56) References cited:  
**WO-A-03/087687 DE-A1- 19 609 821**

(73) Proprietor: **Debolini, Paolo**  
**10128 Torino (IT)**

**EP 1 550 516 B1**

Note: Within nine months of the publication of the mention of the grant of the European patent in the European Patent Bulletin, any person may give notice to the European Patent Office of opposition to that patent, in accordance with the Implementing Regulations. Notice of opposition shall not be deemed to have been filed until the opposition fee has been paid. (Art. 99(1) European Patent Convention).

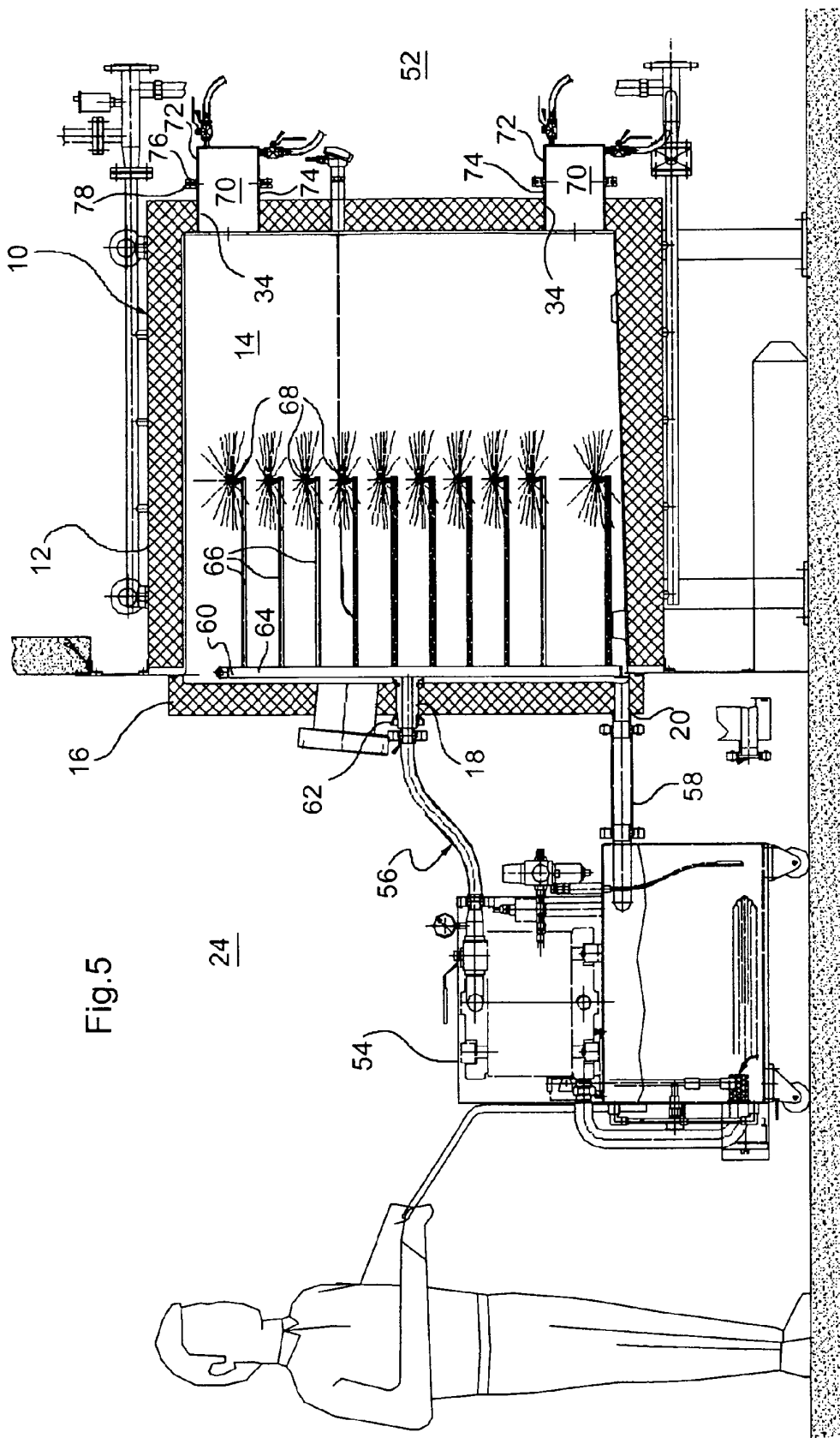


Fig.5